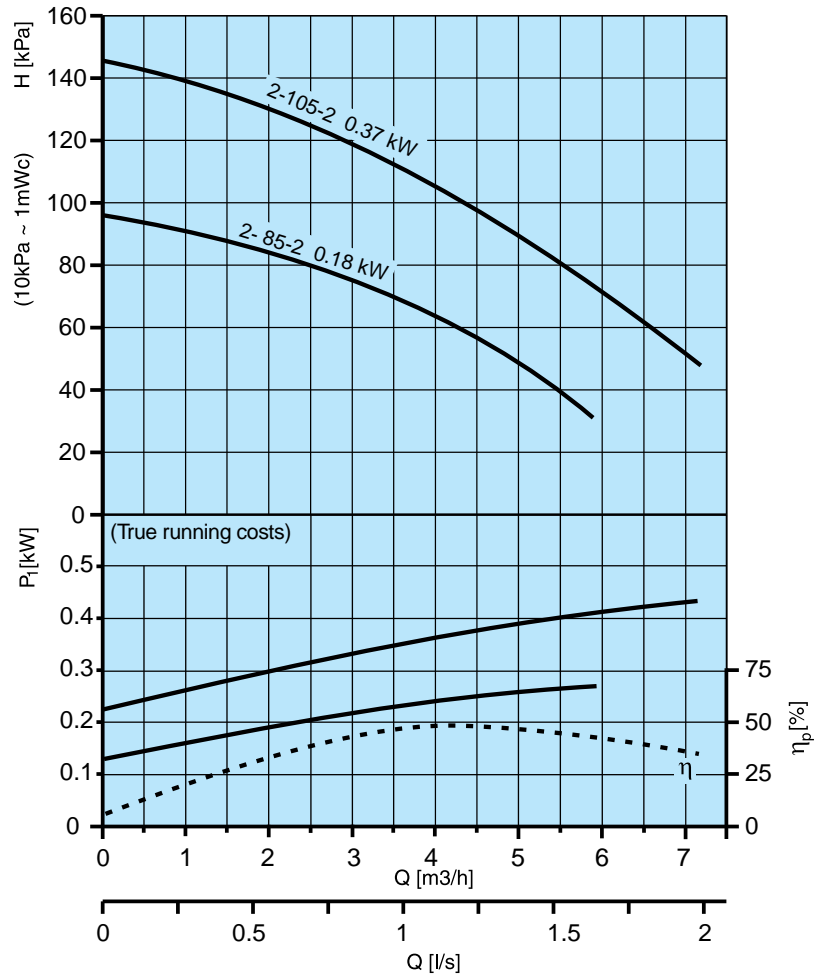
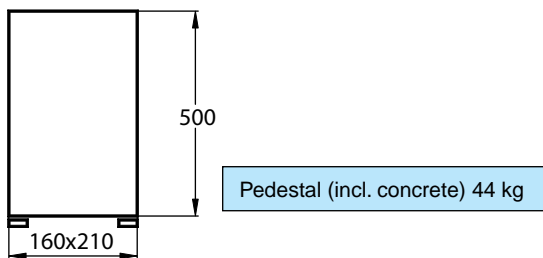
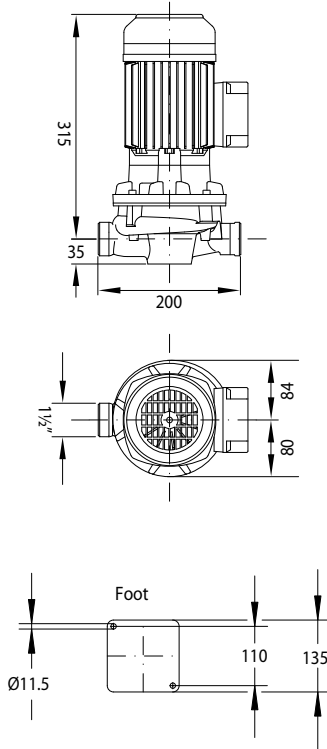


Omega™
Glanded pumps.
Tørløber pumper.
Trockenläufer Pumpen.

In-line DN 25
Omega 2-105-2



P₁:
True running costs
Optagen effekt
Leistungsaufname

$$P_3 = Q \times H = \eta_p \times P_2$$

$$P_2 = \eta_m \times P_1$$

| Type | Kg | | Motor P ₂ (kW) | I _n (A) (50Hz) — standard | | | Cos φ | n(min ⁻¹) | dB(A) | η _m % — standard | | |
|---------------|--------|------|------------------------------|--------------------------------------|------------|------------|-------|-----------------------|-------|-----------------------------|-------|-------|
| | Single | Twin | | 1x230V | 3x400/230V | 3x690/400V | | | | eff 1 | eff 2 | eff 3 |
| Omega 2- 85-2 | 10 | - | 0,18 | - | 0,60/1,05 | - | 0,70 | 2870 | 40 | - | 62 | - |
| Omega 2-105-2 | 11 | - | 0,37 | - | 0,92/1,60 | - | 0,70 | 2800 | 46 | - | 72 | - |

IEC 38 +/- 10%, 50 Hz, IP55

This model is also available as an Omega-Drive - a selfregulating pump with integral inverter and optional differential pressure transducer.
Denne model fås også som Omega-Drive - en selvregulerende pumpe med integreret frekvensomformer med eller uden monteret differensstryk-transmitter.
Dieses Model ist auch als Omega-Drive lieferbar - eine selbstregulierende Pumpe mit integriertem Umrichter, mit montiertem oder ohne Differenzdruckschalter.

Smedegaard reserve the right to change the product without prior notice and take no responsibility for inaccuracies or misprints.