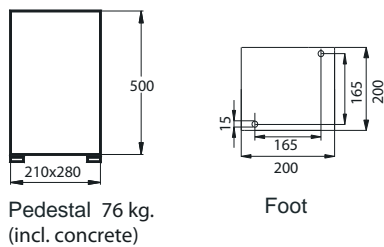
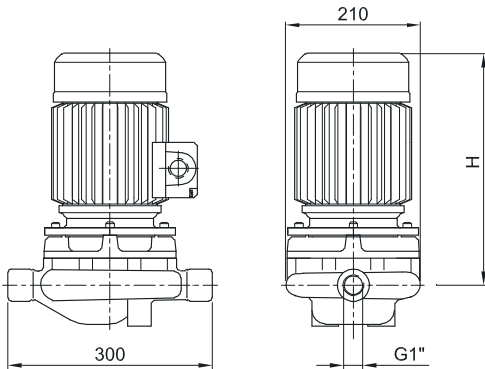


Omega™

Glanded pumps.
Tørløber pumper.
Trockenläufer Pumpen.

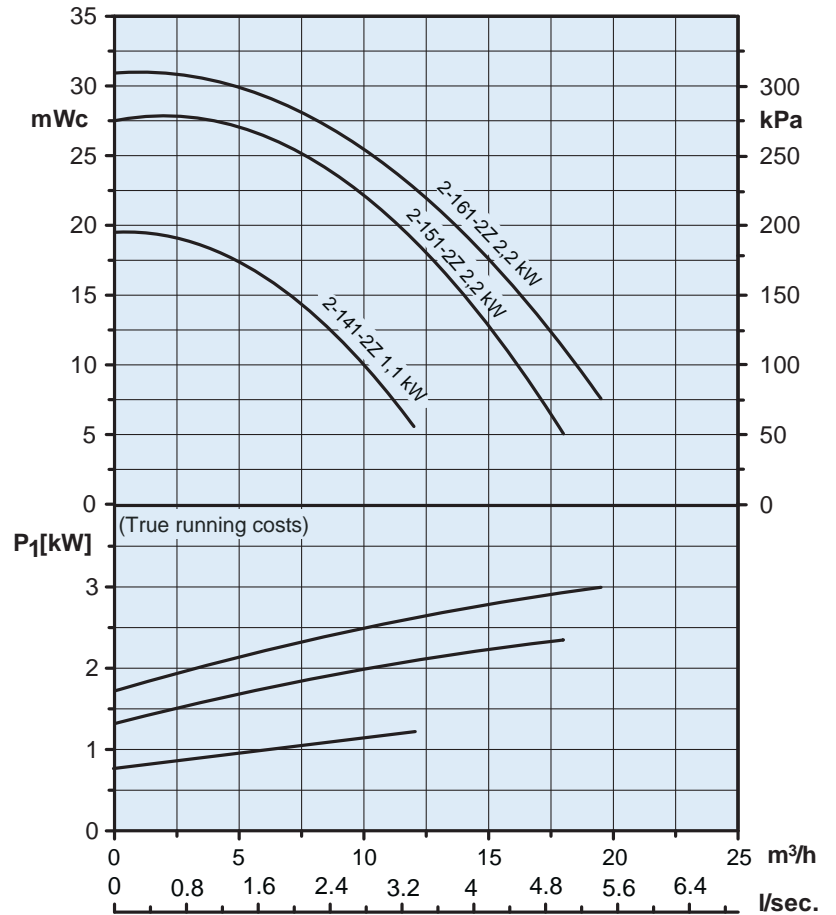
In-line G1"

Omega 2-161-2 (Z)



Pedestal 76 kg.
(incl. concrete)

Foot



Type.	Kg Single	H (mm)	Motor P ₂ (kW)	I _n (A) (50Hz) ■ standard			Cos φ	n(min ⁻¹)	dB(A)	η _m (%) ■ standard.		
				1x230V	3x400/230V	3x690/400V				eff 1	eff 2	eff 3
Omega 2-141-2	25	319	1,1		4,3/2,5		-	2800	52		77	73
Omega 2-151-2	31	344	2,2		8,2/4,7		-	2800	53	85	80	
Omega 2-161-2	31	344	2,2		8,2/4,7		-	2800	53	85	80	

Z = Bronze pump

IEC 38 +/- 10%, 50 Hz, IP 55

This model is also available as an Omega-Drive - a selfregulating pump with integral inverter and optional differential pressure transducer.
Denne model fås også som Omega-Drive - en selvregulerende pumpe med integreret frekvensomformer med eller uden monteret differenstryk-transmitter.
Dieses Model ist auch als Omega-Drive lieferbar - eine selbtsregulierende Pumpe mit integriertem Umrichter, mit montiertem oder ohne Differenzdruckschalter.

Smedegaard reserve the right to change the product without prior notice and take no responsibility for inaccuracies or misprints.