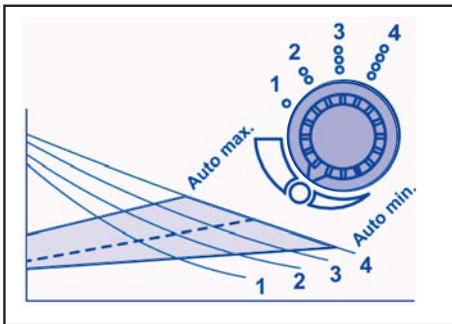
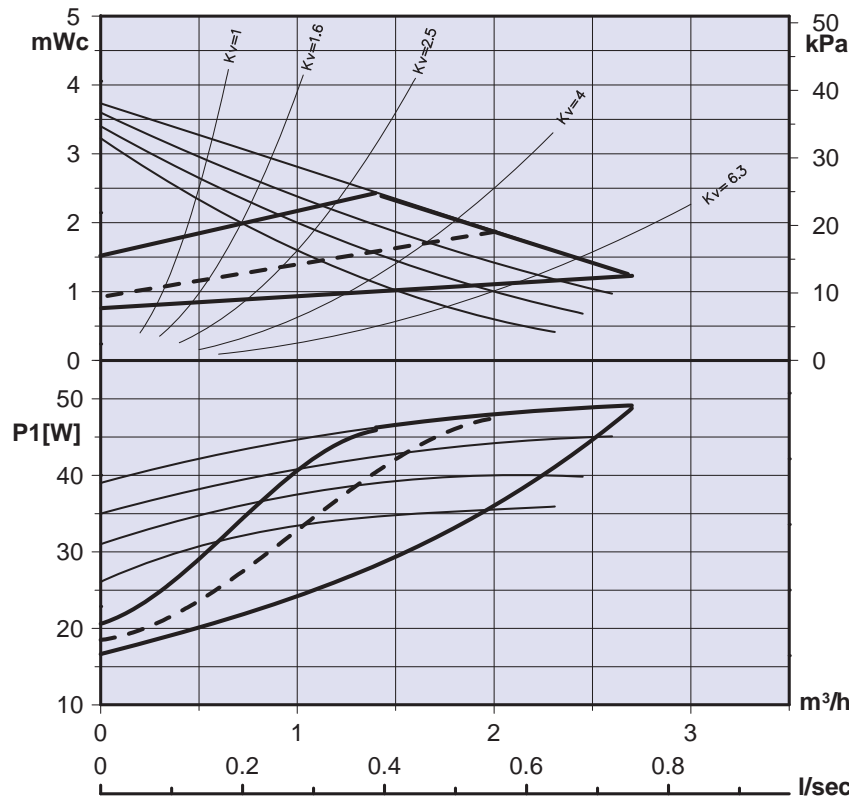


Ix230 V, 50Hz, IEC38	PI[W]	I[A]
Auto min.	18	0,10
Auto max.	50	0,25
Speed 1-4	36-50	0,18-0,25
TF 110 - CEN 335 - 2 - 5I	+15°C	+110°C
Kg (netto)	3,1	



Model C = Heating / Heizung / Varme
Model Z = Casing / Gehäuse / Pumpehus (Bronze)

Electrical connection

